

Equipped troughs

Equipped troughs

Code: 3024 880



DETAILS

| | |
|------------------------|--------------------------|
| Edge/Installation Type | Undermount |
| Material | AISI 304 stainless steel |
| Finish | Foster brushed |
| Texture | Brushed in line |
| Base | 60 cm |
| External dimensions | 438 x 170 mm |
| Internal dimensions | 422 x 122 mm |
| Width | 43,8 cm |
| Length | 3 unit - Standard |

Built-in hole

[View technical data sheet](#)

Standard fittings

Fixing hooks, drain, boxed packing

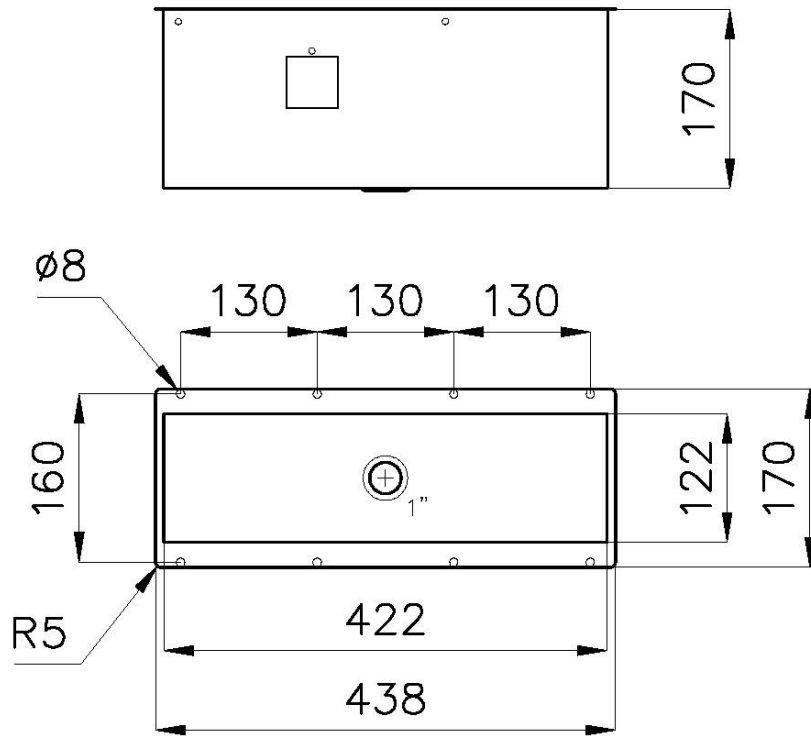
Waste fitting

1¼" drain

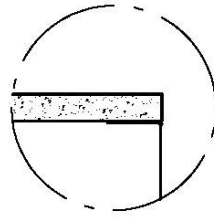
Key to understanding the accessories

The lengths of the channels and accessories are indicated in “units”; for the composition, the sum of the “units” of the accessories must be the same as the length in “units” of the channel.

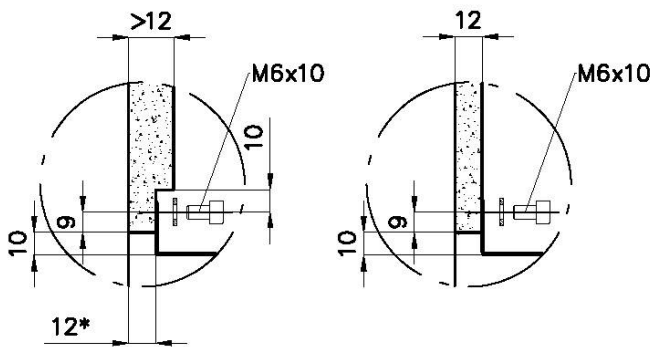
TECHNICAL DATA



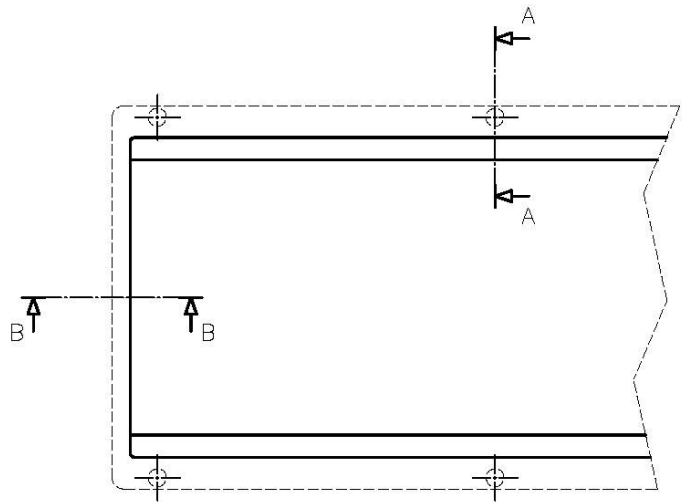
Sottotop/Undermount



B-B:
 Dettaglio installazione
 Installation detail

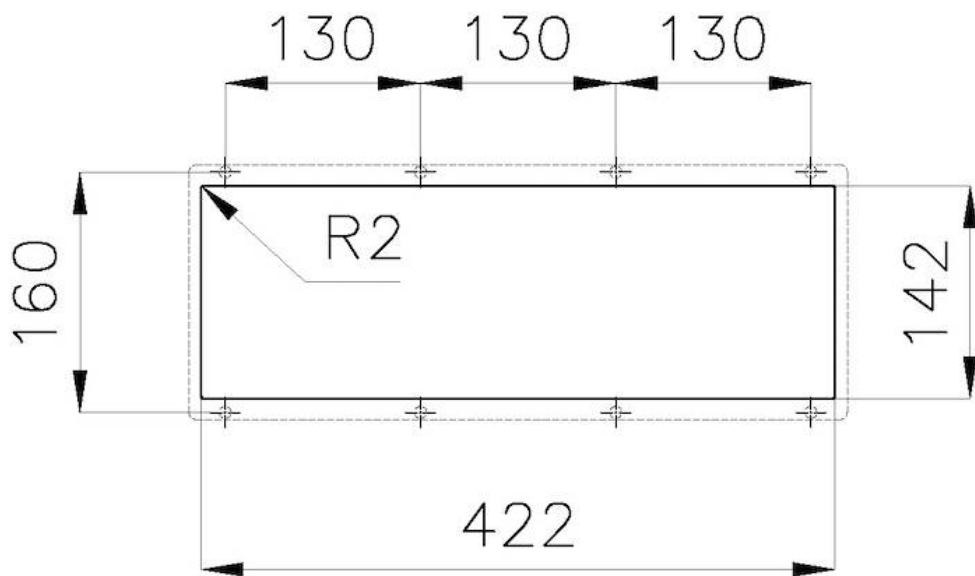


A-A:
 Dettaglio installazione positive reveal e sistema di fissaggio
 Installation detail with positive reveal and fixing system

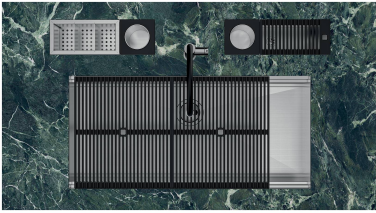


*spessore consigliato per un abbinamento perfetto con gli accessori
 *recommended thickness for a perfect match with the accessories

Dimensioni per foratura top
Cut out size



GALLERY



OPTIONAL ACCESSORIES



Black drainer
8100 058



Kit "A"
8100 703



Kit "B"
8100 700



Kit "C"
8100 701



Kit "D"
8100 704



Kit "E"
8100 705



Kit "F"
8100 706



Kit "G"
8100 710



Kit "H"
8100 702



Kit "N"
8100 714



Push socket-holder
8000 020



Stainless steel knife holder
8100 712



Stainless steel perforated tray
8151 003



Stainless steel plate rack
1773 100